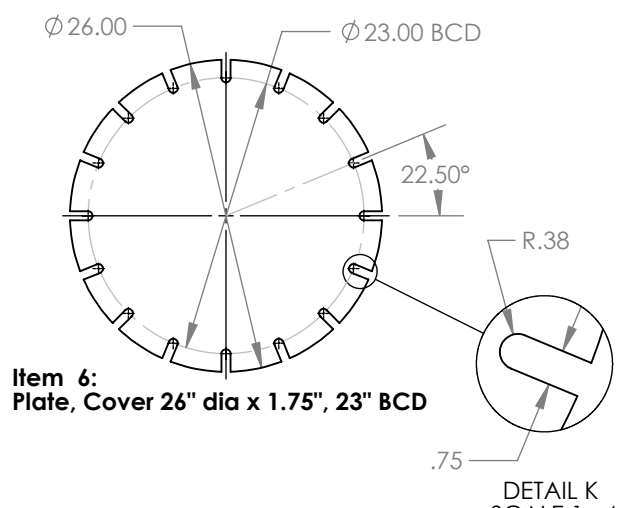
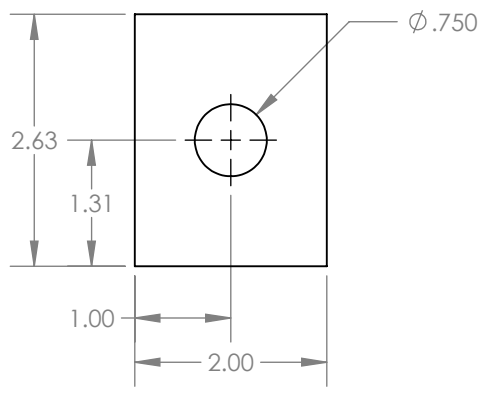
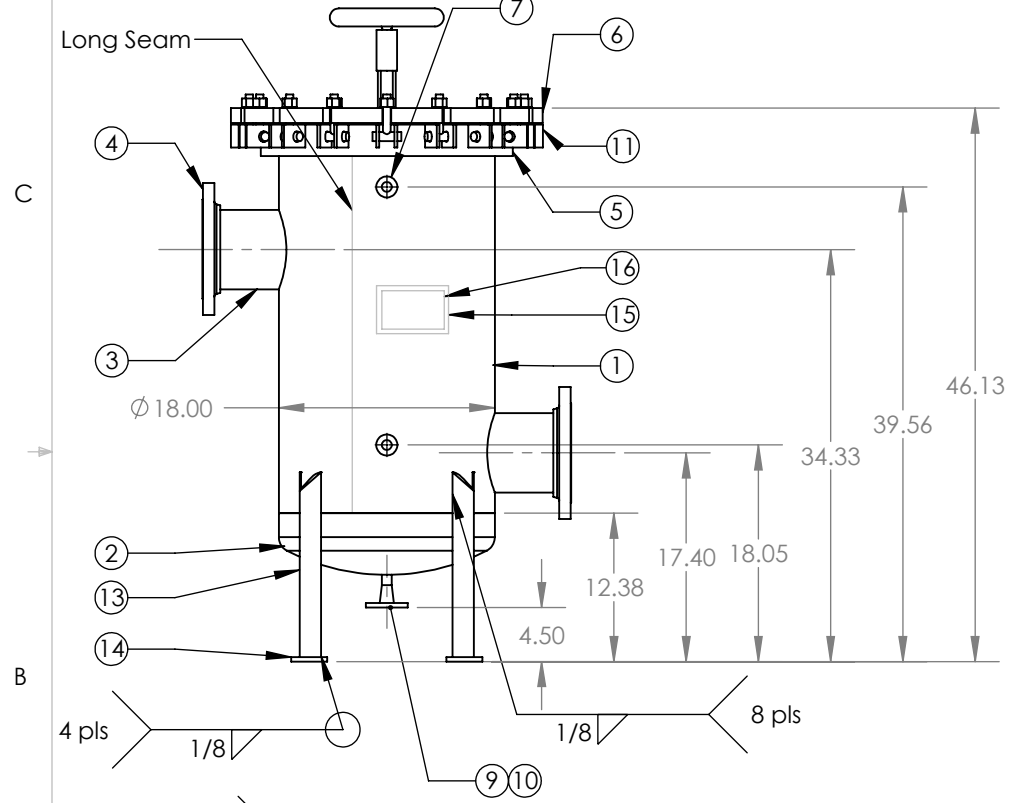


DETAIL L
SCALE 1 : 6
16 PLS
Equally Spaced

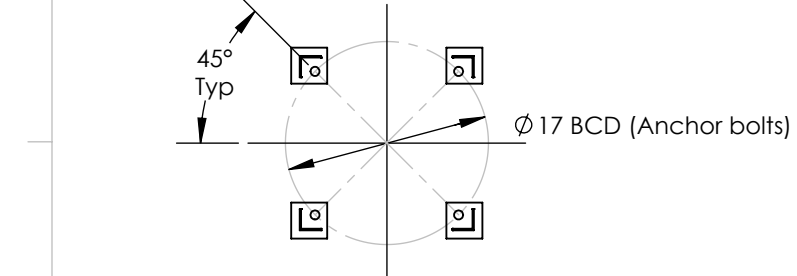


Item 6:
Plate, Cover 26" dia x 1.75", 23" BCD

DETAIL K
SCALE 1 : 4
Typical - 16 places,
equally spaced
on a 23" BCD



Item 11:
Bracket Swingbolt Support



Item 14: Base Plate Orientation

Bill of Materials			
Item	Qty.	Description	Material
1	1	Shell, 0.1875" x 32" x 18" OD	SA-240 304/304L
2	1	Head, F&D 18"OD x 0.125" Min x 2.5" S.F.	SA-240 304/304L
3	2	Pipe, 6" Sch.40S, Wld	SA-312 304/304L
4	2	Flange, 6" 150# B16.5	SA-182 F304
5	1	Flange, 21" OD x 18.125" ID x 2.625" Thk	SA-240 304/304L
6	1	Plate, Cover 26" dia x 1.25", 23" BCD	SA-240 304/304L
7	2	Half Coupling 1"3000# B16.11	SA-182 F304
8	16	Swingbolt, 5/8"	SA-193 B7
9	1	Pipe, 3/4" Sch.40	SA-312 304/304L
10	1	Flange, 3/4" 150# B16.5	SA-182 F304
11	32	Bracket, Swingbolt support, 2" x 2.625" x 0.25"	SA-240 304/304L
12	1	Arm, pivot with support	PN: 123B86
13	4	Legs, 2" x 2" x 1/8" Equal Angle, 16" long	SA-276 304/304L
14	4	Baseplate, 3" x 3" x 1/4"; Bolt hole diameter, 7/16"	SA-240 304/304L
15	1	Nameplate Bracket, 1/4" x 4" x 6"	SA-276 304/304L
16	1	Nameplate, ASME	Stainless

- Notes:
- VESSEL TO BE FREE FROM SPATTER, DIRT, AND OTHER FOREIGN MATTER BEFORE SHIPMENT
 - STAMP INLET & OUTLET ON RESPECTIVE NOZZLES
 - USE WELDING PROCEDURES #WP-5 AND WP-12
 - VESSEL VOLUME: 40 US gal
 - WORKING FLUID: WATER

Design Conditions:	
Code of Construction:	ASME VIII-1, 2010 Ed.
Design MAWP:	150 PSI at 250°F
Design MAEP:	15 PSI at 250°F
MDMT:	-20°F at 150 PSI
Test Pressure:	195 PSI at 70°F for 10 min
Corrosion Allowance:	0.00"
Radiography:	None
PWHT:	None
Impact Testing	Exempt per UG-20(f)
Weight:	449 lb (Estimated)

U
W

Certified By _____

MAWP _____ psig, at _____ F

MAEP _____ psig, at _____ F

MDMT _____ F, at MAWP _____ psig

Manuf. S/N _____

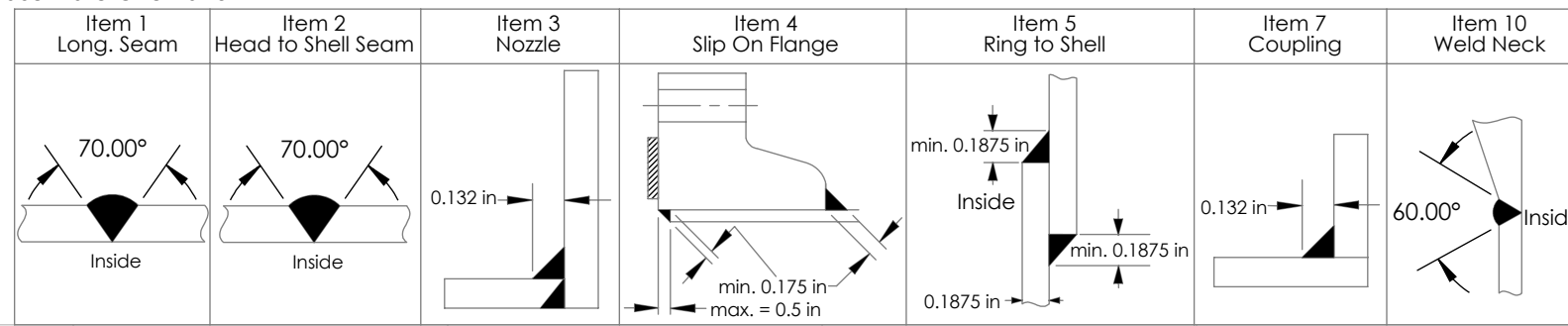
Date _____

CRN _____

	NAME	DATE
DRAWN	DWB	25/02/2011
APPROVAL	MDR	25/02/2011



KEY DESIGN ENGINEERING
194-55 Northfield Dr. E
Waterloo, ON N2K 3T6
CANADA
ph: 520-265-3657
www.keydesigneng.com



UNLESS OTHERWISE SPECIFIED:
DIMENSIONS ARE IN INCHES

THIRD ANGLE PROJECTION:

PROPRIETARY AND CONFIDENTIAL
THE INFORMATION CONTAINED IN THIS DRAWING IS THE SOLE PROPERTY OF KEY DESIGN ENGINEERING. ANY REPRODUCTION IN PART OR AS A WHOLE WITHOUT THE WRITTEN PERMISSION OF KEY DESIGN ENGINEERING IS PROHIBITED.

TITLE: Sample Filter Vessel		
SIZE B	DWG. NO. KEY-026 Filter	REV A
SCALE: 1:16		SHEET 1 OF 1