

(19) World Intellectual Property Organization
International Bureau



(43) International Publication Date
31 May 2007 (31.05.2007)

PCT

(10) International Publication Number
WO 2007/059609 A1

(51) International Patent Classification:

<i>H01J 5/60</i> (2006.01)	<i>H01J 61/36</i> (2006.01)
<i>A61L 2/10</i> (2006.01)	<i>H01K 1/46</i> (2006.01)
<i>C02F 1/32</i> (2006.01)	<i>H01K 1/48</i> (2006.01)
<i>H01J 37/02</i> (2006.01)	<i>H01R 31/06</i> (2006.01)
<i>H01J 61/02</i> (2006.01)	<i>H01R 33/94</i> (2006.01)

[CA/CA]; 123 Glandale Drive South, Tillsonburg, Ontario N4G 5V9 (CA). **FRASER, Jim**; 54 Rosebery Place, St. Thomas, Ontario N5R 2H7 (CA). **SARGES, Michael** [CA/CA]; 1810 Penshurst Road, Victoria, British Columbia V8N 2N7 (CA). **RODGERS, Michael, S.** [US/US]; 412-215 victoria St., South, Kitchener, Ontario N2G 4Z7 (US).

(21) International Application Number:

PCT/CA2006/001898

(22) International Filing Date:

22 November 2006 (22.11.2006)

(25) Filing Language:

English

(26) Publication Language:

English

(30) Priority Data:

60/738,581 22 November 2005 (22.11.2005) US

(71) Applicant (for all designated States except US): **TROJAN TECHNOLOGIES INC.** [CA/CA]; 3020 Gore Road, London, Ontario N4V 4T7 (CA).

(72) Inventors; and

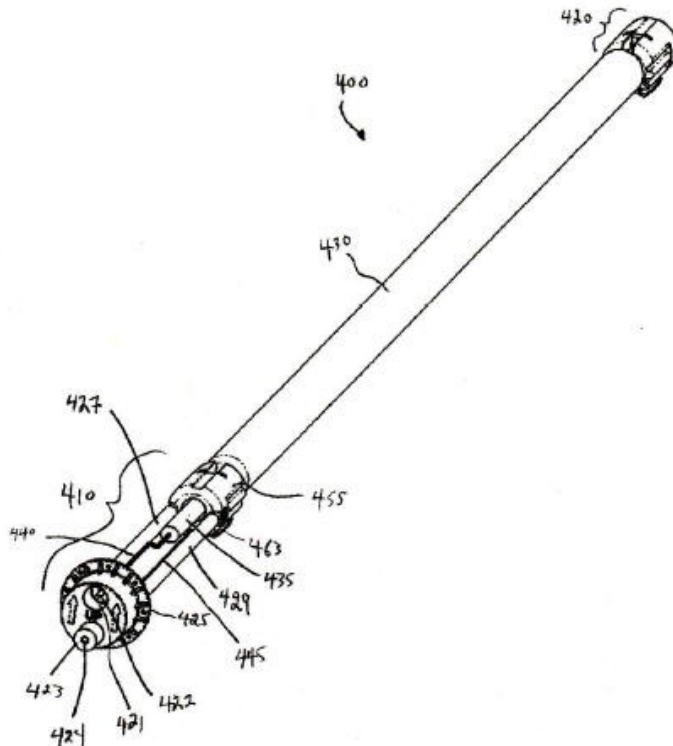
(75) Inventors/Applicants (for US only): **ELKU, Joseph**

(74) Agents: **NASSIF, Omar, A.** et al.; Gowling Lafleur Henderson LLP, Suite 1600, 1 First Canadian Place, 100 King Street West, Toronto, Ontario M5X 1G5 (CA).

(81) Designated States (unless otherwise indicated, for every kind of national protection available): AE, AG, AL, AM, AT, AU, AZ, BA, BB, BG, BR, BW, BY, BZ, CA, CH, CN, CO, CR, CU, CZ, DE, DK, DM, DZ, EC, EE, EG, ES, FI, GB, GD, GE, GH, GM, GT, HN, HR, HU, ID, IL, IN, IS, JP, KE, KG, KM, KN, KP, KR, KZ, LA, LC, LK, LR, LS, LT, LU, LV, LY, MA, MD, MG, MK, MN, MW, MX, MY, MZ, NA, NG, NI, NO, NZ, OM, PG, PH, PL, PT, RO, RS, RU, SC, SD, SE, SG, SK, SL, SM, SV, SY, TJ, TM, TN, TR, TT, TZ, UA, UG, US, UZ, VC, VN, ZA, ZM, ZW.

[Continued on next page]

(54) Title: RADIATION LAMP AND RADIATION SOURCE MODULE INCORPORATING SAME



(57) Abstract: A lamp device is disclosed. The lamp device comprises a first electrical connector and a second electrical connector located at a first end portion of the lamp device. The first end portion of the lamp device is received in a receptacle of a first base portion. A first locking portion is included for securing the first base portion to the first end portion. The present radiation lamp device obviates or mitigates the need to use adhesive and/or polymer insulation/O-rings to achieve electrical connections. Further, the present radiation lamp may be oriented in a vertical orientation without the need to use springs and/or rubber part to support the distal end of the lamp.

WO 2007/059609 A1

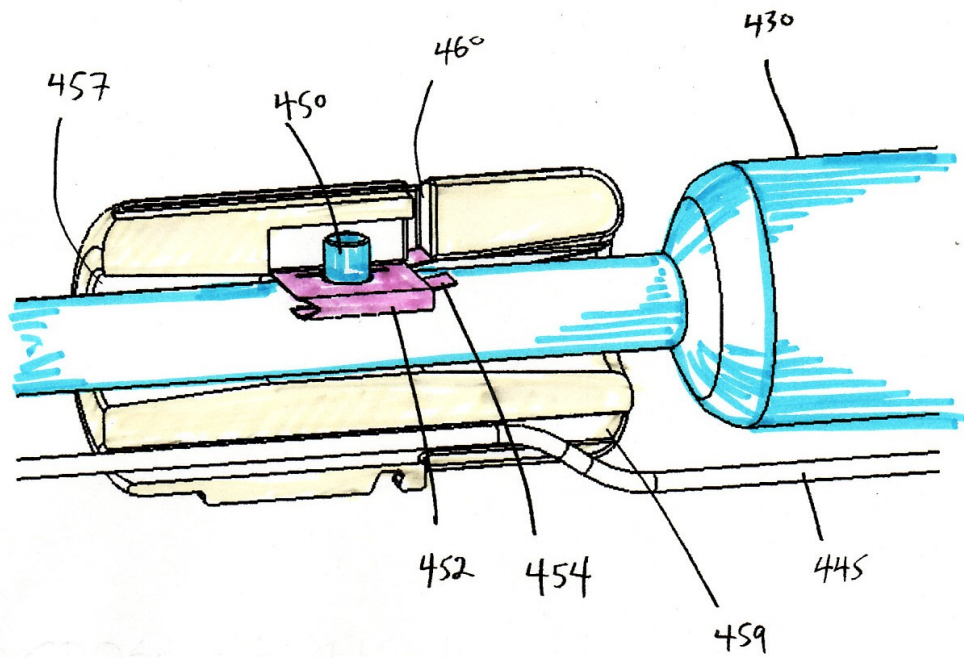


FIG. 21

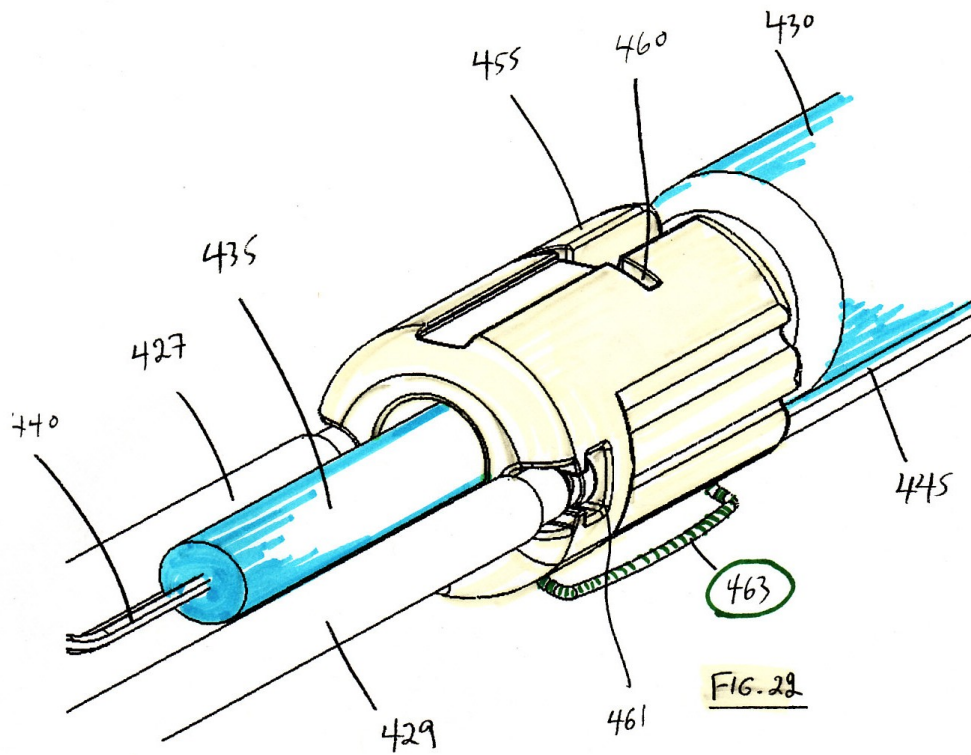


FIG. 22